



IIC Flameproof Ex d enclosures EJC Aluminium



Explosion protection

Description

Flameproof enclosures BARTEC C or EJC series are designed to be installed in industrial plants, where potential hazardous atmospheres occur. These areas are either classified as zone 1 and 2 or as zone 21 and 22.

These enclosures are designed to contain regular industrial electrical components or equipment on the mounting plate like fuses, transformers, circuit breakers, relays, PLC etc. and to be fully integrated in the hazardous area as control- or distribution panel.

Ex type of protection

Depending on the installed components; observe the specifications on the type label. According to EN-IEC 60079-0,-1

- ⊕ II 2G Ex d IIC T6..T3 Gb
- ⊕ II 2D Ex tb IIIC T85°C..T150°C Db

Certification

DEKRA 13 ATEX 0209
IECEX DEK 13.0075
C-IT.ME92.B.01003

Certification body and test lab

DEKRA, INERIS

Ambient temperature

Depending on the installed parts; observe specifications on the type label.

- 20°C to +40°C (standard)
- 40°C to +55°C (optional)
- 55°C to +80°C (maximum for some applications)

Approved for zones

1, 2 and 21, 22

Certification

The series EJB includes several certifications:

- ATEX
- IECEX
- TRCU

Technical data

Protection class (acc. to IEC 60529)

Max. IP66

Enclosure material

Copper free aluminium alloy (< 0,1% copper)

Surface treatment

External painted RAL 9006 (standard)

Internal anti-condense painting
RAL 2004 (optional)

Earthing an bonding

Internal and external earth bolt (M6)

Enclosure lid

Bolts in stainless steel SS304

Mountingplate

Galvanized steel

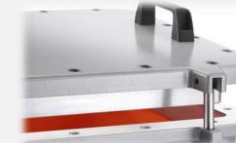
Mounting brackets

Black epoxy painted aluminium



Hinges

Casted on long side

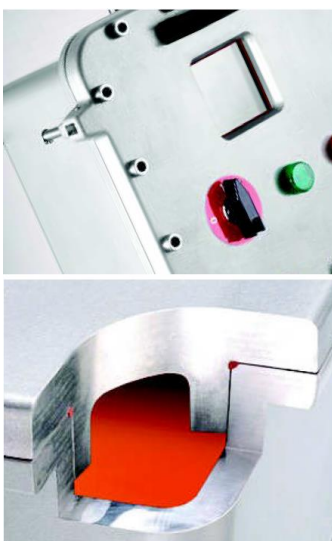


Windows

Windows available in the cover of the enclosure according to below table

Enclosure design

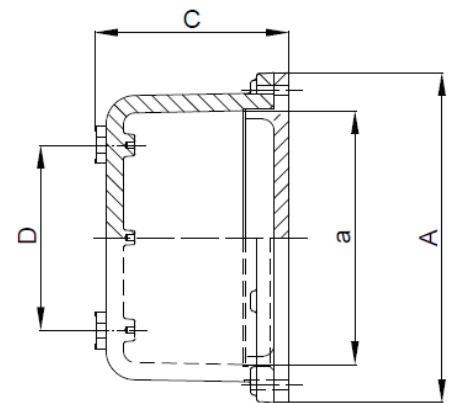
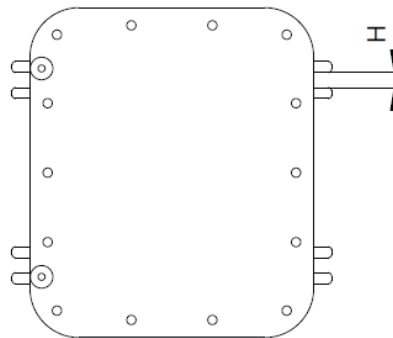
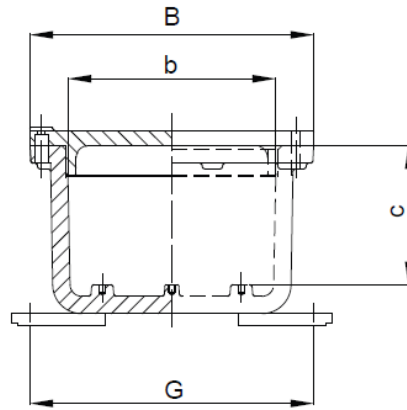
International patent n° PTC/EP2010/054076





IIC Flameproof Ex d enclosures EJC Aluminium

➤ Overall dimensions and weights aluminium EJB

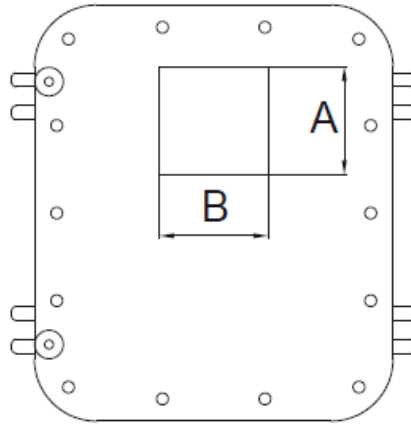


PRODUCT CODE	DIMENSIONS (mm)									Mountingplate	
	B	A	C	b	a	c	G	D	H	Kg	mm
EJC21ACMXA0A0B	285	245	179	220	180	119	245	160	13	15	140 x 180 x 2
EJC30ACMXA0A0B	315	415	176	251	351	125	295	294	13	22	220 x 320 x 2
EJC31ACMXA0A0B	315	415	257	251	351	206	295	294	13	23	220 x 320 x 2
EJC51ACMXA0A0B	566	366	268	500	300	207	335	360	13	40	260 x 460 x 3
EJC63ACMXA0A0B	470	670	247	402	602	180	438	500	13	53	340 x 540 x 3
EJC61ACMXA0A0B	470	670	372	402	602	307	438	500	13	62	340 x 540 x 3



IIC Flameproof Ex d enclosures EJC Aluminium

➔ Window possibilities in cover



WINDOW CODE	DIMENSIONS (mm)						A	B
	EJC21	EJC30	EJC31	EJC51	EJC61	EJC63		
FR1ST	√	√	√	√	√	√	48	48
FR2ST	√	√	√	√	√	√	96	48
FR3ST	√	√	√	√	√	√	150	48
FR4ST	√	√	√	√	√	√	200	48
F1ST	√	√	√	√	√	√	60	60
F2ST	√	√	√	√	√	√	75	75
F3ST	√	√	√	√	√	√	110	75
F4ST	√	√	√	√	√	√	150	75
F5ST	√	√	√	√	√	√	150	150
FR1ST *	√						48	48
F1ST *	√						60	60

Window simbology

FR1ST up to FR4ST Reduced window

F1ST up to F9ST Standard window

F8 and F9 Standard window with fixing frame

It's possible to have other kind of window sizes (not standard) when keeping maximum size as above as restriction

Standard -20°C up to 80°C, * -60°C up to 80°C