



IIC Flameproof Ex d enclosures GUB Aluminium & Stainless steel



Explosion protection

Description

Flameproof enclosures BARTEC C or GUB series are designed to be installed in industrial plants, where potential hazardous atmospheres occur. These areas are either classified as zone 1 and 2 or as zone 21 and 22.

These enclosures are designed to contain regular industrial electrical components or equipment on the mounting plate like fuses, transformers, circuit breakers, relays, PLC etc. and to be fully integrated in the hazardous area as control- or distribution panel.

Ex type of protection

Depending on the installed components; observe the specifications on the type label.
According to EN-IEC 60079-0,-1

- ⊕ II 2G Ex d IIC T6..T3 Gb
- ⊕ II 2D Ex tb IIIC T85°C..T200°C Db

Certification

DEKRA 13 ATEX 0209
IECEX DEK 13.0075
C-IT.ME92.B.01003

Certification body and test lab

DEKRA, INERIS

Ambient temperature

Depending on the installed parts; observe specifications on the type label.

- 20°C to +40°C (standard)
- 40°C to +55°C (optional)
- 55°C to +80°C (maximum for some applications)

Approved for zones

1, 2 and 21, 22

Certification

The series EJB includes several certifications:

- ATEX
- IECEX
- TRCU

Technical data

Protection class (acc. to IEC 60529)

Max. IP66

Enclosure material

Copper free aluminium alloy (< 0,1% copper)
Stainless steel 316

Surface treatment

External painted RAL 9006 (standard)

Internal anti-condense painting
RAL 2004 (optional)

Earthing an bonding

Internal and external earth bolt (M6)

Hardware

Stainless steel SS304 for aluminium and
SS316 for stainless steel enclosures

Mountingplate

Galvanized steel

Mounting brackets

Casted / welded

Windows

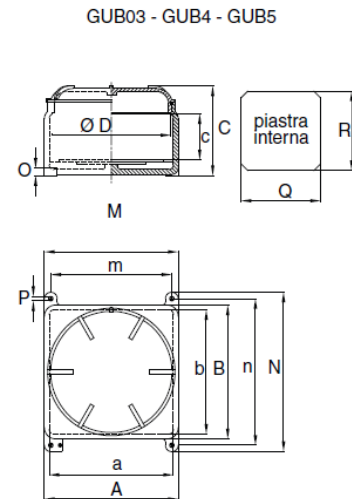
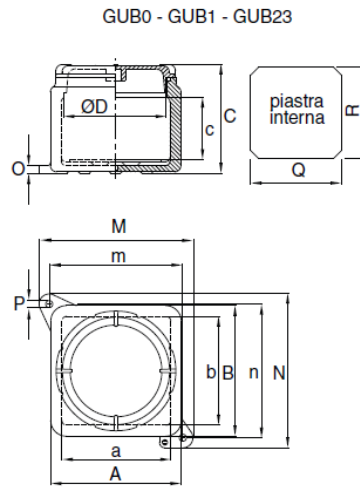
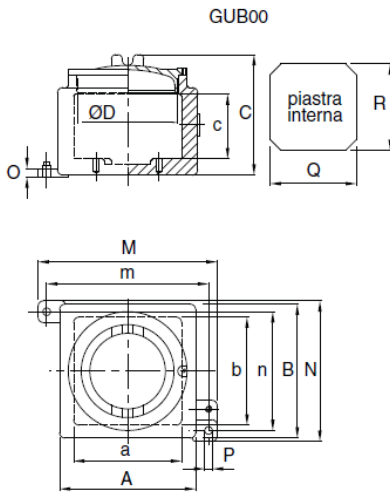
Windows available in screw cover





IIC Flameproof Ex d enclosures GUB Aluminium & Stainless steel

➤ Overall dimensions and weights aluminium GUB



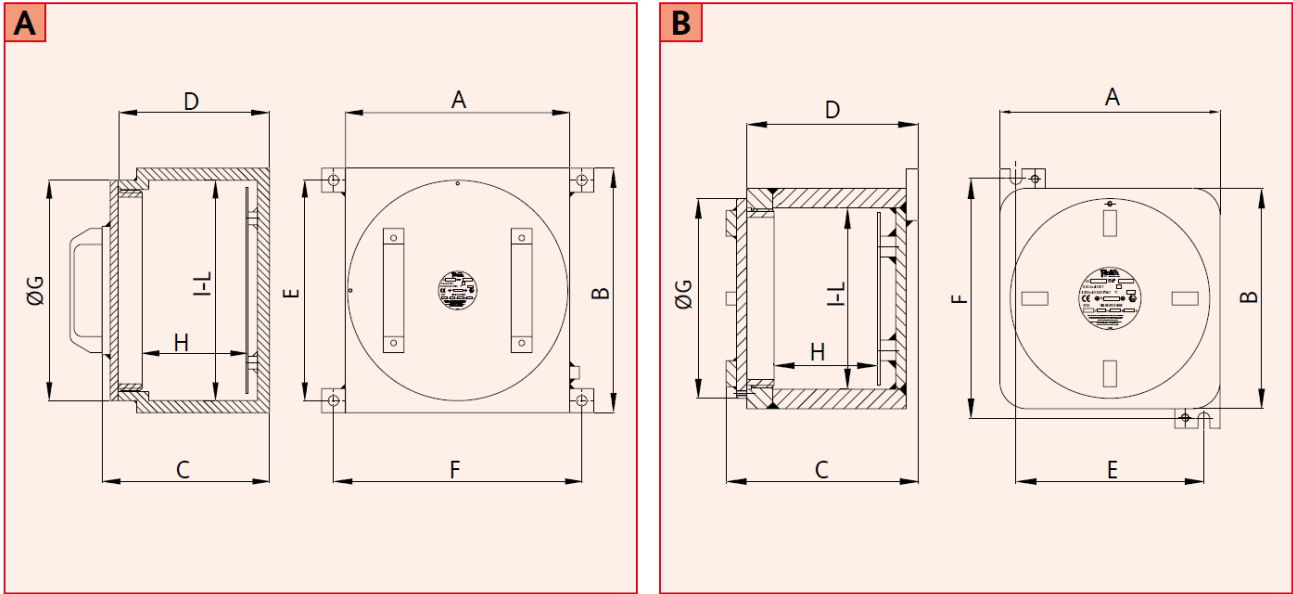
| PRODUCT CODE | DIMENSIONS (mm) | | | | | | | | | WINDOW Mountingplate | | |
|--------------|-----------------|-----|-------|-----|-----|-------|-----|-----|----|----------------------|---------|---------------|
| | B | A | C | b | a | c | m | n | P | Kg | Ø glass | mm |
| GUB00A0A0 | 135 | 135 | 108 | 100 | 100 | 52 | 150 | 110 | 7 | 2 | | 80 x 80 x 2 |
| GUB0A0A0 | 168 | 168 | 138,5 | 140 | 140 | 81 | 172 | 172 | 9 | 3,5 | | 95 x 95 x 2 |
| GUB1A0A0 | 198 | 198 | 150 | 170 | 170 | 87,5 | 200 | 200 | 9 | 5 | | 130 x 130 x 2 |
| GUB23A0A0 | 270 | 310 | 181 | 282 | 242 | 101,5 | 275 | 315 | 12 | 10,5 | | 160 x 200 x 2 |
| GUB03A0A0 | 280 | 305 | 238 | 248 | 273 | 127 | 270 | 308 | 13 | 10,5 | | 220 x 220 x 2 |
| GUB4A0A0 | 420 | 420 | 281 | 390 | 390 | 147,5 | 460 | 380 | 14 | 60 | | 280 x 280 x 2 |
| GUB5A0A0 | 600 | 600 | 365 | 550 | 390 | 207,5 | 550 | 630 | 14 | 77 | | 490 x 490 x 3 |
| GUBW1A0A0 | 198 | 198 | 150 | 170 | 170 | 87,5 | 200 | 200 | 9 | 6 | 90 | 130 x 130 x 2 |
| GUBW23A0A0 | 270 | 310 | 181 | 282 | 242 | 101,5 | 275 | 315 | 12 | 13,5 | 195 | 160 x 200 x 2 |
| GUBW03A0A0 | 280 | 305 | 238 | 248 | 273 | 127 | 270 | 308 | 13 | 12,5 | 150 | 220 x 220 x 2 |
| GUBW4A0A0 | 420 | 420 | 281 | 390 | 390 | 147,5 | 460 | 380 | 14 | 30 | 230 | 280 x 280 x 2 |



*IIC Flameproof
Ex d enclosures GUB
Aluminium & Stainless steel*

➔ Overall dimensions and weights
Stainless steel GUB INX

Reference details



| PRODUCT CODE | DIMENSIONS (mm) | | | | | | | | | WINDOW Mountingplate | | | |
|--------------------|-----------------|-----|-----|-----|-----|-----|-----|-----|-----|----------------------|---------|---------|---------------|
| | A | B | C | D | I&L | H | E | F | G | Kg | lay-out | ø glass | mm |
| GUB00 INX AISI316 | 135 | 135 | 108 | 93 | 110 | 45 | 115 | 150 | 113 | 10 | B | | 80 x 80 x 2 |
| GUB0 INX AISI316 | 170 | 170 | 148 | 132 | 140 | 80 | 145 | 185 | 154 | 18,5 | B | | 95 x 95 x 2 |
| GUB1 INX AISI316 | 200 | 200 | 170 | 150 | 170 | 100 | 170 | 220 | 100 | 33,5 | B | | 130 x 130 x 2 |
| GUB23 INX AISI316 | 310 | 270 | 175 | 155 | 290 | 110 | 230 | 350 | 244 | 74 | B | | 160 x 200 x 2 |
| GUB03 INX AISI316 | 280 | 305 | 230 | 210 | 250 | 145 | 260 | 310 | 275 | 74 | A | | 200 x 220 x 2 |
| GUB4 INX AISI316 | 420 | 420 | 244 | 230 | 390 | 130 | 380 | 460 | 405 | 130 | A | | 280 x 280 x 2 |
| GUB5 INX AISI316 | 600 | 600 | 330 | 310 | 550 | 205 | 550 | 630 | 600 | 200 | A | | 490 x 490 x 3 |
| GUB1W INX AISI316 | 200 | 200 | 170 | 150 | 170 | 100 | 170 | 220 | 100 | 33,5 | B | 90 | 130 x 130 x 2 |
| GUB03W INX AISI316 | 280 | 305 | 230 | 210 | 250 | 145 | 260 | 310 | 275 | 74 | A | 195 | 200 x 220 x 2 |
| GUBW23 INX AISI316 | 310 | 270 | 175 | 155 | 290 | 110 | 230 | 350 | 244 | 74 | B | 150 | 280 x 280 x 2 |
| GUB4 INX AISI316 | 420 | 420 | 244 | 230 | 390 | 130 | 380 | 460 | 405 | 130 | A | 230 | 490 x 490 x 3 |